

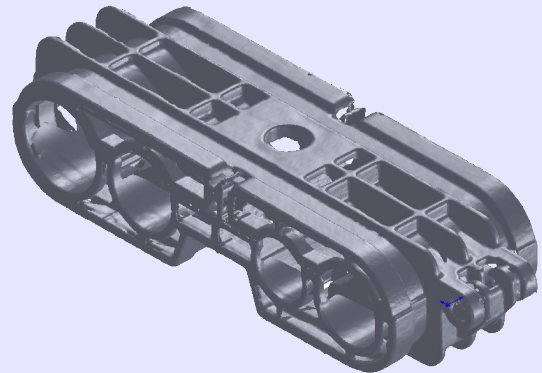
3D Catalog Content

Background

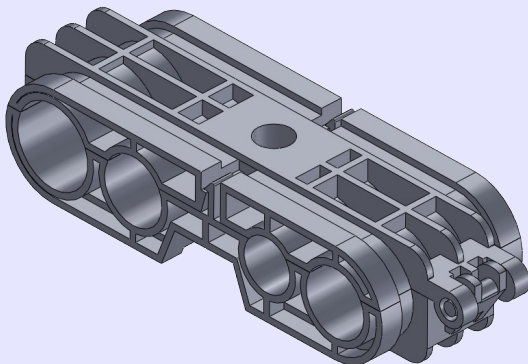
Our client needed to reproduce a fairly small and intricate part for FEA analysis. The part was only 3" in the longest dimension, but had quite a few intricate details. They had attempted to scan this small part themselves, using a commercial hand held laser scanner, but the results were poor and completely unusable. We took the part, and not only successfully scanned the critical details, but successfully recreated it as a CAD solid.

Our Process

We positioned the plastic part on our rotary table, and adjusted the machine to maximize the scan detail based on the part scale. We made a complete 360 degree of the part to capture the basic shape, and went back and took a few additional captures to fill in some detail. The resulting scan captured the majority of the critical details, and provided more than enough information for us to recreate the part parametrically as a CAD solid.



The Results



Our client was not only happy with the resulting solid, but also happy with the speed and price at which we were able to provide it. We successfully remastered all of the part detail as a CAD solid, and were able to quickly compare the original scan to the CAD to ensure that our reproduction was accurate enough for their application.